



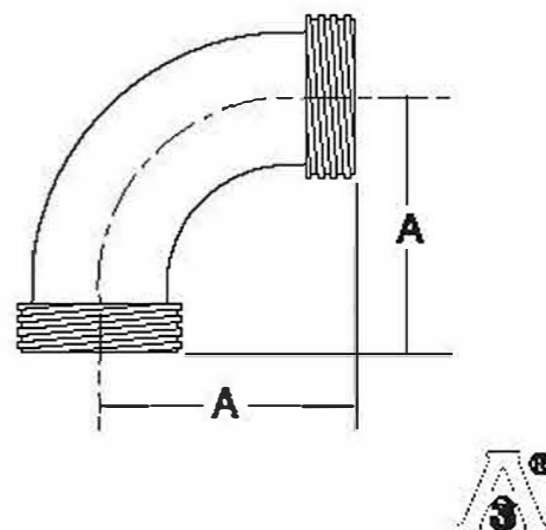
**Highland
Equipment Inc.**

Stainless Steel Equipment

Bevel Seat Elbows

2C - 90° Sweep Elbow

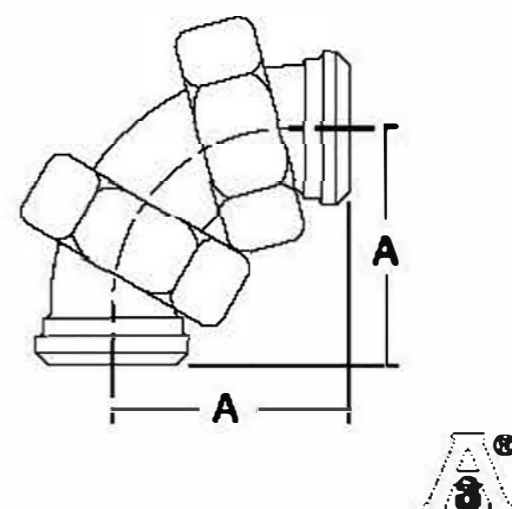
Size		A	
in	mm	in	mm
1	25.4	2	50.8
1½	38.1	2½	73.0
2	50.8	3 ²³ / ₃₂	94.5
2½	63.5	4 ²⁷ / ₃₂	123.0
3	76.2	5 ²⁹ / ₃₂	150.0
4	101.6	8 ¹ / ₁₆	204.8



Material Option: 304 (Finish Number 7)

2E - 90° Sweep Elbow

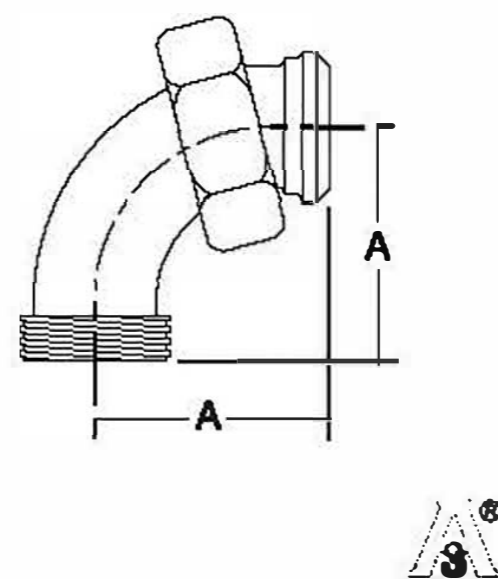
Size		A	
in	mm	in	mm
1	25.4	2	50.8
1½	38.1	2½	73.0
2	50.8	3 ²³ / ₃₂	94.5
2½	63.5	4 ²⁷ / ₃₂	123.0
3	76.2	5 ²⁹ / ₃₂	150.0
4	101.6	8 ¹ / ₁₆	204.8



Material Option: 304 (Finish Number 7)

2F - 90° Sweep Elbow

Size		A	
in	mm	in	mm
1	25.4	2	50.8
1½	38.1	2½	73.0
2	50.8	3 ²³ / ₃₂	94.5
2½	63.5	4 ²⁷ / ₃₂	123.0
3	76.2	5 ²⁹ / ₃₂	150.0
4	101.6	8 ¹ / ₁₆	204.8



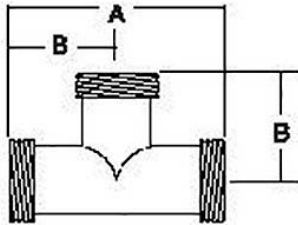
Material Option: 304 (Finish Number 7)

Bevel Seat Tees & Ferrules



**Highland
Equipment Inc.**

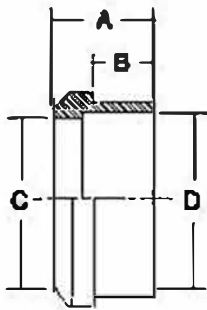
Stainless Steel Equipment



7 - Tee

Size		A		B	
in	mm	in	mm	in	mm
1	25.4	3 ⁵ / ₁₆	92.1	1 ¹³ / ₁₆	46
1½	38.1	4 ³ / ₄	120.7	2 ³ / ₈	60.3
2	50.8	5 ⁹ / ₁₆	141.3	2 ⁵ / ₁₆	70.6
2½	63.5	6 ³ / ₈	161.9	3 ³ / ₁₆	81.0
3	76.2	7	177.8	3 ¹ / ₂	88.9
4	101.6	9 ⁵ / ₁₆	236.5	4 ² / ₁₆	118.3

Material Option: 304 (Finish Number 7)



14 - Plain Recessed Ferrule

Size		A		B		C		D	
in	mm	in	mm	in	mm	in	mm	in	mm
1	25.4	¾	19.0	½	12.7	⅞	22.2	1	25.4
1½	38.1	⅞	22.2	¾	15.9	1 ¹ / ₈	34.9	1½	38.1
2	50.8	1 ¹ / ₁₆	24.6	1 ¹ / ₁₆	17.5	1 ¹ / ₈	47.6	2	50.8
2½	63.5	1 ¹ / ₁₆	27.0	¾	19.0	2 ³ / ₈	60.3	2½	63.5
3	76.2	1 ¹ / ₈	28.6	1 ³ / ₁₆	20.6	2 ³ / ₈	73.0	3	76.2
4	101.6	1 ¹ / ₄	31.8	1 ⁵ / ₁₆	23.8	3 ⁵ / ₁₆	97.2	4	101.6

Material Option: 304 (Finish Number 7)



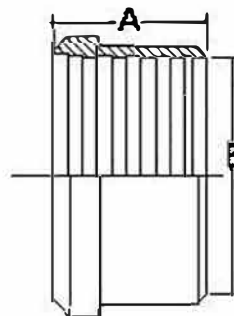
**Highland
Equipment Inc.**

Stainless Steel Equipment

Bevel Seat Ferrules

14R - Plain Recessless Ferrule (Expanding Type)

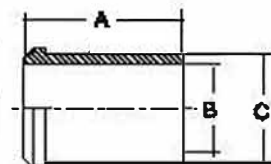
Size		A		B	
in	mm	in	mm	in	mm
1	25.4	$\frac{3}{4}$	19.0	1	25.4
1½	38.1	1¼	28.6	1½	38.1
2	50.8	1½	33.3	2	50.8
2½	63.5	1¾	34.9	2½	63.5
3	76.2	1⅞	36.5	3	76.2
4	101.6	1¾	38.1	4	101.6



Material Option: 304 (Finish Number 7)

14W - Plain Ferrule, Tank Spud (Heavy)

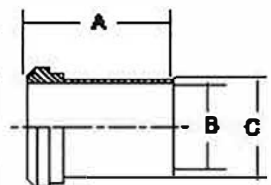
Size		A		B		C	
in	mm	in	mm	in	mm	in	mm
1	25.4	$2\frac{3}{8}$	60.3	$\frac{7}{8}$	22.2	$1\frac{5}{32}$	29.4
1½	38.1	$2\frac{17}{32}$	64.3	$1\frac{3}{8}$	34.9	$1\frac{49}{64}$	42.5
2	50.8	$2\frac{25}{32}$	70.6	$1\frac{7}{8}$	47.6	$2\frac{3}{16}$	55.6
2½	63.5	$3\frac{1}{4}$	77.8	$2\frac{3}{8}$	60.3	$2\frac{45}{64}$	68.6
3	76.2	$3\frac{13}{32}$	89.7	$2\frac{7}{8}$	73.0	$3\frac{3}{32}$	81.8
4	101.6	$4\frac{1}{4}$	109.5	$3\frac{59}{64}$	97.2	$4\frac{1}{4}$	108.0



Material Option: 304 (Finish Number 7)

14WL - Plain Ferrule, Tank Spud (Light)

Size		A		B		C	
in	mm	in	mm	in	mm	in	mm
1	25.4	2	50.8	$\frac{7}{8}$	22.2	1	25.4
1½	38.1	$2\frac{3}{4}$	57.2	$1\frac{3}{8}$	34.9	1½	38.1
2	50.8	$2\frac{1}{2}$	63.5	$1\frac{7}{8}$	47.6	2	50.8
2½	63.5	$2\frac{3}{4}$	69.9	$2\frac{3}{8}$	60.3	$2\frac{1}{2}$	63.5
3	76.2	3	76.2	$2\frac{7}{8}$	73.0	3	76.2
4	101.6	4	101.6	$3\frac{59}{64}$	97.2	4	101.6



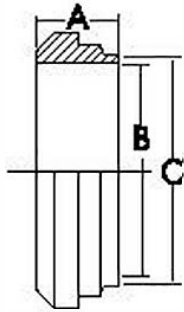
Material Option: 304 (Finish Number 7)

Bevel Seat Ferrules



**Highland
Equipment Inc.**

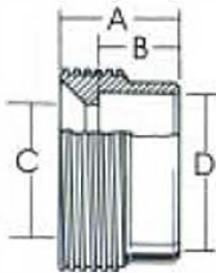
Stainless Steel Equipment



14PRFS - Short Welding Ferrule

Size		A		B		C	
in	mm	in	mm			in	mm
1	25.4	1 ¹ / ₁₆	17.5	3 ⁷ / ₈	22.2	1	25.4
1 ¹ / ₂	38.1	2 ³ / ₃₂	18.3	1 ¹¹ / ₃₂	34.1	1 ¹ / ₂	38.1
2	50.8	2 ³ / ₃₂	18.3	1 ⁷ / ₈	47.6	2	50.8
2 ¹ / ₂	63.5	2 ³ / ₃₂	21.4	2 ¹¹ / ₃₂	59.5	2 ¹ / ₂	63.5
3	76.2	2 ⁷ / ₃₂	23.0	2 ⁷ / ₈	73.0	3	76.2
4	101.6	1 ¹ / ₂	31.0	3 ¹³ / ₁₆	81.0	4	101.6

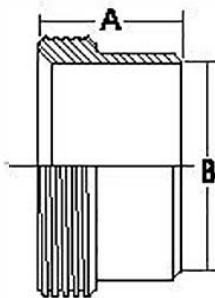
Material Option: 304 (Finish Number 7)



15 - Threaded Recessed Ferrule

Size		A		B		C		D	
in	mm	in	mm	in	mm	in	mm	in	mm
1	25.4	1 ³ / ₁₆	20.6	1/2	12.7	3 ⁷ / ₈	22.2	1	25.4
1 ¹ / ₂	38.1	3/8	22.2	5/8	15.9	1 ³ / ₈	34.9	1 ¹ / ₂	38.1
2	50.8	1 ¹ / ₂	26.2	1 ¹ / ₁₆	17.5	1 ⁷ / ₈	47.6	2	50.8
2 ¹ / ₂	63.5	1 ¹ / ₄	28.6	3/4	19.0	2 ³ / ₈	60.3	2 ¹ / ₂	63.5
3	76.2	1 ¹ / ₄	31.8	1 ¹ / ₁₆	20.6	2 ⁷ / ₈	73.0	3	76.2
4	101.6	1 ³ / ₄	34.9	1 ⁵ / ₁₆	23.8	3 ¹³ / ₁₆	97.2	4	101.6

Material Option: 304 (Finish Number 7)



**15R - Threaded Recessless
Ferrule (Expanding Type)**

Size		A		B	
in	mm	in	mm	in	mm
1	25.4	1 ³ / ₁₆	20.6	1	25.4
1 ¹ / ₂	38.1	1 ¹ / ₈	28.6	1 ¹ / ₂	38.1
2	50.8	1 ³ / ₈	34.9	2	50.8
2 ¹ / ₂	63.5	1 ¹ / ₂	38.1	2 ¹ / ₂	63.5
3	76.2	1 ³ / ₈	41.3	3	76.2
4	101.6	1 ³ / ₈	41.3	4	101.6

Material Option: 304 (Finish Number 7)





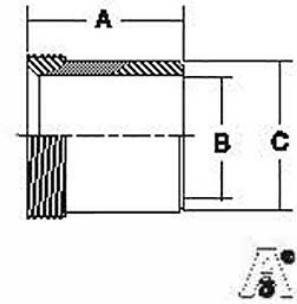
**Highland
Equipment Inc.**

Stainless Steel Equipment

Bevel Seat Ferrules

15W - Threaded Ferrule, Tank Spud (Heavy)

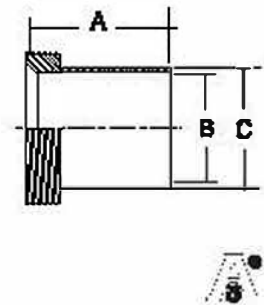
Size		A		B		C	
in	mm	in	mm	in	mm	in	mm
1	25.4	1½	38.1	¾	22.2	1¼	31.8
1½	38.1	1¾	41.3	1¾	34.9	1¾	44.5
2	50.8	1¾	44.5	1¾	47.6	2¼	58.7
2½	63.5	1¾	44.5	2¾	60.3	2¾	73.0
3	76.2	1¾	46.0	2¾	73.0	3¾	85.7
4	101.6	2¾	64.0	3¾	97.2	4¾	108.0



Material Option: 304 (Finish Number 7)

15WL - Threaded Ferrule, Tank Spud (Light)

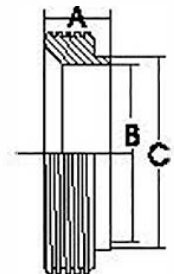
Size		A		B		C	
in	mm	in	mm	in	mm	in	mm
1	25.4	2	50.8	¾	22.2	1	25.4
1½	38.1	2¼	57.2	1¾	34.9	1½	38.1
2	50.8	2½	63.5	1¾	47.6	2	50.8
2½	63.5	2¾	69.9	2¾	60.3	2½	63.5
3	76.2	3	76.2	2¾	73.0	3	76.2
4	101.6	4	101.6	3¾	97.2	4	101.6



Material Option: 304 (Finish Number 7)

15TRFS - Short Welding Ferrule

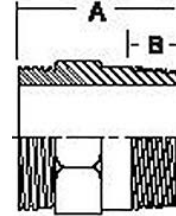
Size		A		B		C	
in	mm	in	mm	in	mm	in	mm
1	25.4	1¼	17.5	2¾	21.4	1	25.4
1½	38.1	2¾	18.3	1½	34.1	1½	38.1
2	50.8	2¾	18.3	1½	46.8	2	50.8
2½	63.5	2¾	21.4	2¼	59.5	2½	63.5
3	76.2	2¾	23.0	2¾	72.2	3	76.2
4	101.6	1¾	31.0	3¾	96.8	4	101.6



Material Option: 304 (Finish Number 7)

21 - Adapters (Non 3A)

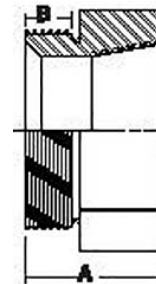
Size		A		B	
in	mm	in	mm	in	mm
1 x 1	25.4 x 25.4	2 ³ / ₄	57.2	2 ¹ / ₂	16.7
1 ¹ / ₂ x 1 ¹ / ₂	38.1 x 38.1	2 ⁷ / ₁₆	61.9	2 ³ / ₃₂	18.3
2 x 2	50.8 x 50.8	2 ²⁴ / ₃₂	67.5	3 ¹ / ₄	19.0
2 ¹ / ₂ x 2 ¹ / ₂	63.5 x 63.5	3 ⁹ / ₃₂	83.3	1 ⁹ / ₁₆	29.0
3 x 3	76.2 x 76.2	3 ¹ / ₂	88.9	1 ¹³ / ₁₆	27.6
4 x 4	101.6 x 101.6	3 ¹³ / ₁₆	96.8	1 ⁵ / ₁₆	33.3



Material Option: 304 (Finish Number 7)

22 - Adapters (Non 3A)

Size		A		B	
in	mm	in	mm	in	mm
1 x 1	25.4 x 25.4	2 ¹ / ₁₆	52.4	9 ¹ / ₃₂	14.3
1 ¹ / ₂ x 1 ¹ / ₂	38.1 x 38.1	2 ¹ / ₄	57.2	2 ⁵ / ₁₆	13.9
2 x 2	50.8 x 50.8	2 ¹⁴ / ₃₂	59.5	2 ⁵ / ₁₆	13.9
2 ¹ / ₂ x 2 ¹ / ₂	63.5 x 63.5	2 ²⁷ / ₃₂	53.2	4 ⁹ / ₁₆	17.1
3 x 3	76.2 x 76.2	2 ³ / ₁₆	55.6	3 ¹ / ₄	19.0
4 x 4	101.6 x 101.6	2 ⁵ / ₈	66.7	3 ¹ / ₈	22.2



Material Option: 304 (Finish Number 7)



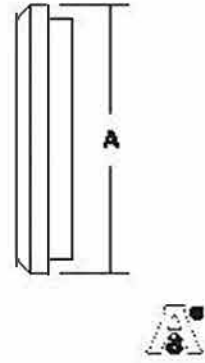
**Highland
Equipment Inc.**

Stainless Steel Equipment

Bevel Seat Caps & Nuts

16A - Plain Cap

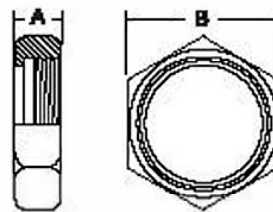
Size		A	
in	mm	in	mm
1	25.4	1 $\frac{1}{16}$	33.3
1 $\frac{1}{2}$	38.1	1 $\frac{23}{32}$	46.8
2	50.8	2 $\frac{3}{8}$	60.3
2 $\frac{1}{2}$	63.5	2 $\frac{29}{32}$	73.8
3	76.2	3 $\frac{1}{4}$	87.3
4	101.6	4 $\frac{1}{2}$	114.3



Material Option: 304 (Finish Number 7)

13H - Hex Union Nut, Non 3A

Size		A		B	
in	mm	in	mm	in	mm
1	25.4	2 $\frac{9}{32}$	23.0	1 $\frac{13}{16}$	46.0
1 $\frac{1}{2}$	38.1	3 $\frac{1}{32}$	24.6	2 $\frac{13}{32}$	61.1
2	50.8	1 $\frac{1}{4}$	27.0	3	76.2
2 $\frac{1}{2}$	63.5	1 $\frac{3}{4}$	30.2	3 $\frac{19}{32}$	91.3
3	76.2	1 $\frac{9}{16}$	32.5	4 $\frac{1}{4}$	106.4
4	101.6	1 $\frac{1}{2}$	38.1	5 $\frac{1}{4}$	138.1



Material Option: 304



Highland Equipment

136 The East Mall Toronto, Ontario M8Z 5V5

Tel: 416-236-9610 Fax: 416-236-9611

Toll Free Canada 1-800-956-5630

General Inquiries helcon@highlandequip.com

Visit us online at www.highlandequip.com