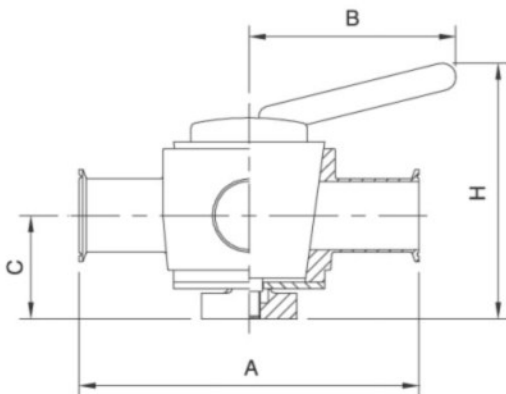




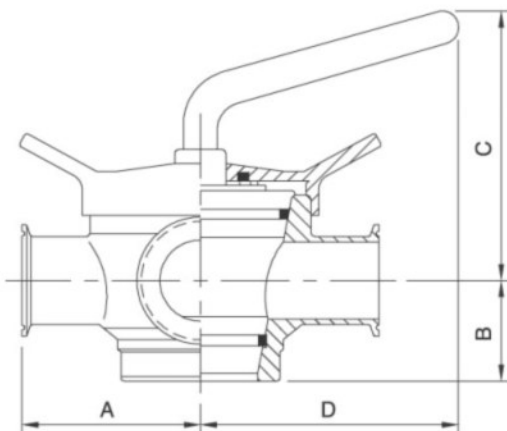
Plug valves are excellent sanitary devices with minimal pressure drops. This kind of valve is constructed with a special tape which has been carefully designed to reduce wedging and galling. CSE plug valves are made of type 316 stainless steel and come in the clamp and butt-weld end configuration. Available in rubber or stainless steel plugs.

Note: Plug valves, because of inherent design, are recommended only for low pressure applications...25 psi maximum; for use with non-hazardous products, and at temperatures not to exceed 100°F. They are subject to leakage almost normal operating, maintenance, and cleaning procedures.



America type 2WAY & 3WAY-BUTT WELD-PLUG VALVE 2WAY & 3WAY-CLAMP END-PLUG VALVE

SIZE (Tube O.D)	Weld A	Clamp A	B	C	H
1"	184.2	115.9	117.0	58.3	128.4
1.5"	198.4	147.6	142.7	61.0	164.4
2"	223.8	173.0	144.2	72.4	178.0
2.5"	260.4	209.6	150.6	86.2	223.4
3"	290.5	239.7	180.7	90.6	241.4



Europe type 2WAY & 3WAY-PLUG VALVE For Male Female Or Clamp Ends

SIZE (Tube O.D)	A M/M	A Flanged	B	C	D
1"	60	84	29	125	102
1.5"	79	115	45	129	152
2"	89	135	51	150	165
2.5"	105	158	57	170	191
3"	114	168	64	186	203